



GRAMMER

PREMIUM SEATING SYSTEMS

COMFORT THAT NEVER QUITS



AGRICULTURE

YOU RESHAPE THE EARTH. WE MAKE SURE THE EARTH DOESN'T RESHAPE YOU.



Farmers spend long, hard hours exposed to heavy, whole-body vibrations. But that doesn't mean it has to feel that way. GRAMMER seats are built with advanced mechanical and pneumatic suspension systems designed to reduce vibrations in the most brutal conditions. This translates to increased comfort, improved job performance and fewer sick days due to back problems. After experiencing a GRAMMER seat, your back will never be satisfied with anything less.

MSG 95 SERIES



Our industry-leading air suspension seat has been meticulously engineered to rigorously absorb vibrations of all types. This versatile seat can be equipped with an array of suspension systems to meet the specific needs of the job, including an elite Dynamic Dampening System™ (DDS) and Low-Frequency suspensions.

FEATURES:

- Air suspension (12V or 24 compressor) – sets the standard for the industry
- Suspension stroke up to 7.0 in. (180 mm)
- Weight adjustment range – 110-285 lbs. (50-130 kg)
- Fore/aft adjustment – accommodates all body sizes/types
- Height adjustment up to 3.1 in. (80 mm)
- Lumbar support (mechanical or pneumatic) – easily adjusts for optimal back support and comfort
- Adjustable headrest or backrest extension
- Swivel (0° to 360°) – allows for better view of rear equipment and improved cab mobility
- Retractable seat belt – 2-point, 3-point or 4-point
- Seat depth/tilt – four adjustable positions to reduce pressure on the backs of knees
- Adjustable or foldable armrests
- Document box or net
- Side-to-side isolator
- Fore/aft isolator – dramatically reduces horizontal vibrations and prevents jolts from jarring the back
- Adjustable damper
- Active climate control – seat top removes sweat to keep you dry in the heat; integrated seat heating keeps you warm in the cold
- Operator presence switch
- Control carrier console – offers easy access to joystick controls
- High back or low back seat top options available in three widths



Air
Suspension

ALL SEATS CAN BE ENHANCED
WITH THESE ADDITIONAL OPTIONS.



Auto Position
Control



Lumbar
Control



Swivel
Control



Lateral
Suspension



Fore/Aft
Isolator



Climate
Control



Heat
Control



MSG 97 SERIES



The MSG 97 provides the ultimate hardworking comfort in the roughest conditions you can throw at it. Designed with forward-thinking innovation, this seat's low-frequency air suspension minimizes machine vibrations and dampens driver impacts, which maximizes your ability to put in long hours.

FEATURES:

- Low-frequency air suspension (24V or 12V compressor) - reduces the impact of extreme shocks to the body
- Suspension stroke up to 7.0 in. (180 mm)
- Weight adjustment range - 110-485 lbs. (50-220 kg)
- Fore/aft adjustment - accommodates all body sizes/types
- Height adjustment up to 3.1 in. (80 mm)
- Lumbar support (mechanical or pneumatic) - easily adjusts for optimal back support and comfort
- Adjustable headrest or backrest extension
- Swivel (0° to 360°) - allows for better view of rear equipment and improved cab mobility
- Retractable seat belt - 2-point, 3-point or 4-point
- Seat depth/tilt - four adjustable positions to reduce pressure on the backs of knees
- Adjustable or foldable armrests
- Document box or net
- Side-to-side isolator
- Fore/aft isolator - dramatically reduces horizontal vibrations and prevents jolts from jarring the back
- Adjustable damper
- Active climate control - seat top removes sweat to keep you dry in the heat; integrated seat heating keeps you warm in the cold
- Operator presence switch
- Control carrier console - offers easy access to joystick controls
- High back or low back seat top options available in three widths



ALL SEATS CAN BE ENHANCED WITH THESE ADDITIONAL OPTIONS.



MSG 93 SERIES



Once you experience the comfort of air suspension, there's no going back. It's easy to make the little adjustments you need to create the smoothest riding experience possible. The MSG 93 features narrow suspension with the added luxury of air-ride comfort.

FEATURES:

- Narrow air suspension (12V compressor) - ideal for limited spaces like small tractors
- Suspension stroke up to 3.1 in. (80 mm)
- Weight adjustment range - 110-285 lbs. (50-130 kg)
- Fore/aft adjustment - accommodates all body sizes/types
- Height adjustment
- Lumbar support - easily adjusts for optimal back support and comfort
- Backrest extension
- Retractable seat belt
- Adjustable or foldable armrests
- Document box or net
- Operator presence switch
- Swivel (0° to 360°) - allows for better view of rear equipment and improved cab mobility
- Low back seat top options available in three widths



ALL SEATS CAN BE ENHANCED WITH THESE ADDITIONAL OPTIONS.



ADD COMFORT WHERE IT COUNTS.



MSG 85 SERIES



Our top-of-the-line mechanical suspension offers a boost in vibration reduction for a more comfortable ride in even the most demanding conditions.

FEATURES:

- Mechanical light-duty suspension – provides dependable, hardworking comfort
- Suspension stroke up to 3.9 in. (100 mm)
- Weight adjustment range – 110-285 lbs. (50-130 kg)
- Fore/aft adjustment – accommodates all body sizes/types
- Height adjustment up to 3.1 in. (80 mm)
- Lumbar support – easily adjusts for optimal back support and comfort
- Adjustable headrest or backrest extension
- Swivel (0° to 360°) – allows for better view of rear equipment and improved cab mobility
- Retractable seat belt – 2-point, 3-point or 4-point
- Seat depth/tilt – four adjustable positions to reduce pressure on the backs of knees
- Adjustable or foldable armrests
- Document box or net
- Side-to-side isolator
- Fore/aft isolator – dramatically reduces horizontal vibrations and prevents jolts from jarring the back
- Operator presence switch
- Control carrier console – offers easy access to joystick controls
- High back or low back seat top options available in three widths



ALL SEATS CAN BE ENHANCED WITH THESE ADDITIONAL OPTIONS.



Lumbar Control



Swivel Control



Lateral Suspension



Fore/Aft Isolator



Heat Control



MSG 283 SERIES



Our narrow mechanical suspension seat delivers incredible value with uncompromising quality, premium materials and a wide range of features. Despite its small dimensions, it boasts all standard seat and operating features and a robust mechanical suspension.

FEATURES:

- Narrow mechanical suspension – ideal where space is at a premium
- Suspension stroke up to 3.1 in. (80 mm)
- Weight adjustment range – 110-285 lbs. (50-130 kg)
- Fore/aft adjustment – accommodates all body sizes/types
- Height adjustment up to 3.1 in. (80 mm)
- Lumbar support – easily adjusts for optimal back support and comfort
- Backrest extension
- Retractable seat belt
- Adjustable or foldable armrests
- Document box or net
- Operator presence switch
- Low back seat top options available in three widths



ALL SEATS CAN BE ENHANCED WITH THESE ADDITIONAL OPTIONS.



Lumbar Control



Fore/Aft Isolator

THE LAND WILL CALL IT QUILTS LONG BEFORE YOU DO.





BUILT TO HANDLE THE HEAVIEST OF WORKLOADS

Meet the toughest challenges of your industry parked comfortably in a GRAMMER seat.

As a global leader in seating solutions, GRAMMER delivers unmatched performance, comfort and durability for industries including agriculture, construction, material handling and turf care. With relentless dedication, cutting-edge innovation and extensive R&D, GRAMMER ensures you can tackle the most demanding jobs in comfort.

Find out more at usa.grammer.com



AGRICULTURE



CONSTRUCTION



MATERIAL
HANDLING



TURF CARE

GRAMMER INC.

2700 Harvey Street • Hudson, WI 54016
800-FOR-SEATS • Fax: 715-377-0200
usa.grammer.com



GRAMMER

PREMIUM SEATING SYSTEMS



MSG 85/721

FULL MECHANICAL SUSPENSION IS
BUILT TO SMOOTH OUT THE ROUGHEST RIDES



AGRICULTURE



CONSTRUCTION



MATERIAL
HANDLING



TURF CARE

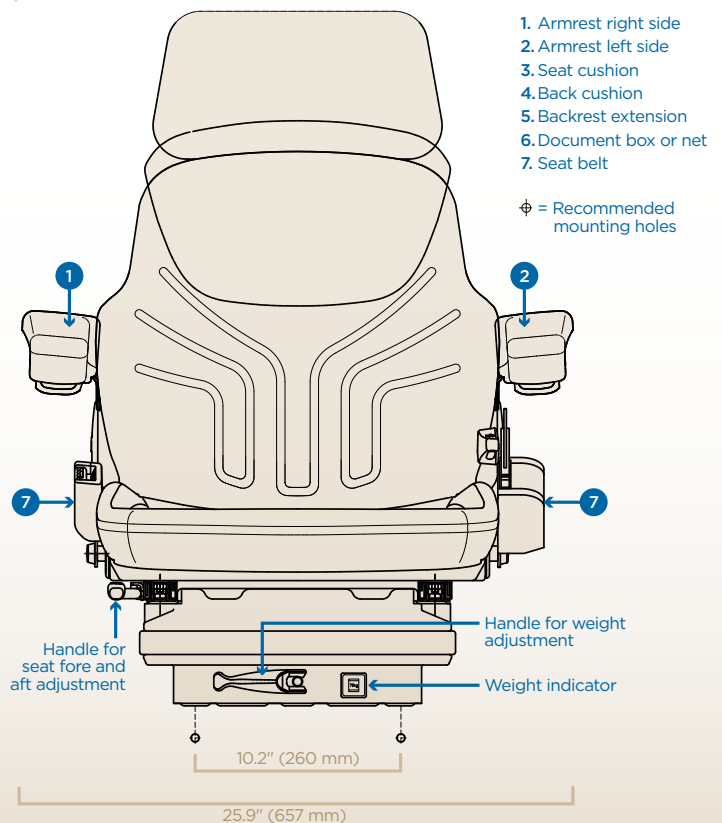
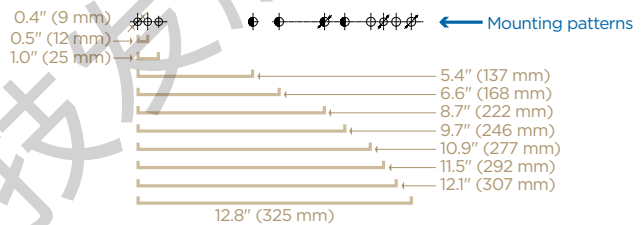
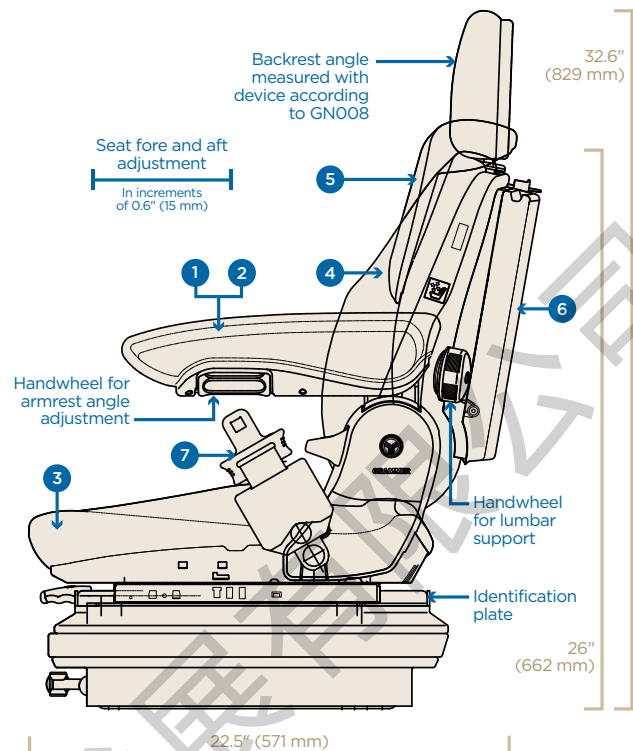
MSG 85/721

Our full mechanical suspension is built to deliver hardworking comfort in a wide variety of demanding, heavy-duty applications.



● = FEATURES ○ = OPTIONAL FEATURES

Mechanical heavy-duty suspension	●
Suspension stroke up to 7.0" (180 mm)	●
Shock absorber	●
Weight adjustment range - 110-285 lbs. (50-130 kg)	●
Weight indicator	●
Fore/aft adjustment	●
Height adjustment up to 3.1" (80 mm)	●
Lumbar support	●
Adjustable headrest	○
Backrest extension	○
Swivel (0° to 360°)	○
Retractable seat belt	○
Seat depth/tilt	○
Adjustable or foldable armrests	○
Document box or net	○
Side-to-side isolator	○
Fore/aft isolator	○
Operator presence switch	○
Control carrier console	○
Seat cushion width of 18.9" (480 mm)	●
Standard seat cushion width of 20.8" (530 mm)	○
Extra-wide seat cushion width of 21.6" (550 mm)	○





GRAMMER

PREMIUM SEATING SYSTEMS



MSG 97AL/722

LOW-FREQUENCY AIR SUSPENSION THAT
STANDS UP TO THE HEAVIEST LOADS



AGRICULTURE

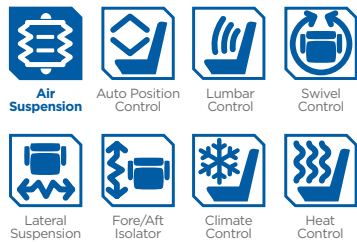


CONSTRUCTION

usa.grammer.com

MSG 97AL/722

The advanced low-frequency air suspension is engineered to minimize vertical vibrations and provide long hours of comfort in today's heavy-duty agriculture and construction machines.



● = FEATURES ○ = OPTIONAL FEATURES

Low-frequency air suspension (24V or 12V compressor)	●
Suspension stroke up to 7.0" (180 mm)	●
Adjustable shock absorber	●
Weight adjustment range - 110-485 lbs. (50-220 kg)	●
Automatic Positioning System	●
Fore/aft adjustment	●
Height adjustment up to 3.1" (80 mm)	●
Lumbar support (mechanical or pneumatic)	●
Adjustable headrest	○
Adjustable backrest angle (-10° to +34°)	●
Swivel (0° to 360°)	○
Retractable seat belt (2-point, 3-point or 4-point)	○
Seat depth/tilt	○
Adjustable or foldable armrests	○
Document box or net	○
Side-to-side isolator	○
Fore/aft isolator	○
Adjustable damper	○
Active climate control	○
Operator presence switch	○
Control carrier console	○
High back or low back seat top	○
Seat cushion width of 18.9" (480 mm)	●
Standard seat cushion width of 20.8" (530 mm)	○
Extra-wide seat cushion width of 21.6" (550 mm)	○

